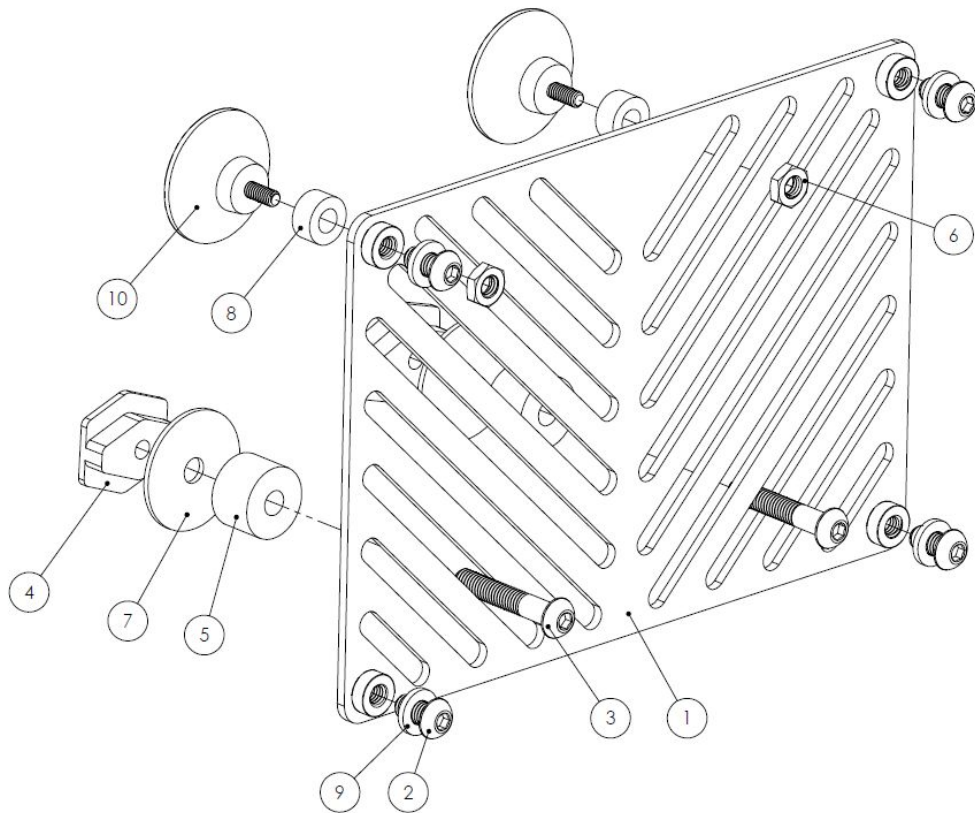


**No Drill Front License Plate Bracket Install
Honda Civic Type R FK8 2017+**



Included Parts:

1. Aluminum Plate Bracket
2. M6x12 Socket Head Cap Screw (4)
3. M6x35 Socket Head Cap Screw (2)
4. FK8 Grille Nut (2)
5. Large Spacer (2)
6. M6 Nut (2)
7. M6 Fender Washer (2)
8. Small Spacer (2)
9. M6 Washer (4)
10. Suction Cup (2)

Install Procedure:

1. Attach some string and tape to both FK8 Grille Nut [4]. The string is to retrieve the Grille nut in case it gets dropped behind the grille.
2. Feed one grille nut through the grille at the desired grille location.
3. Pass the M6x35 Socket Head Cap Screw [3] through the Aluminum Plate Bracket [1] via the desired slot. Then feed the screw through the Large Spacer [5] and M6 Fender Washer [7]. Fasten the screw into the FK8 Grille Nut [4].
4. Repeat step 3 for the other side.
5. Thoroughly clean the area of the bumper where the suction cup will rest.
6. Feed the Suction Cup [10] through the Small Spacer [8] and through the desired slot from the back side of the Aluminum Plate Bracket [1].
7. Repeat step 5 for the other side.
8. Push the Aluminum Plate Bracket [1] towards the car to engage the Suction Cup [10] to the bumper.
9. Fasten the licence plate to the Aluminum Plate Bracket [1] with the M6x12 Socket Head Cap Screw [2] and M6 Washer [9]
10. Remove string and tape.