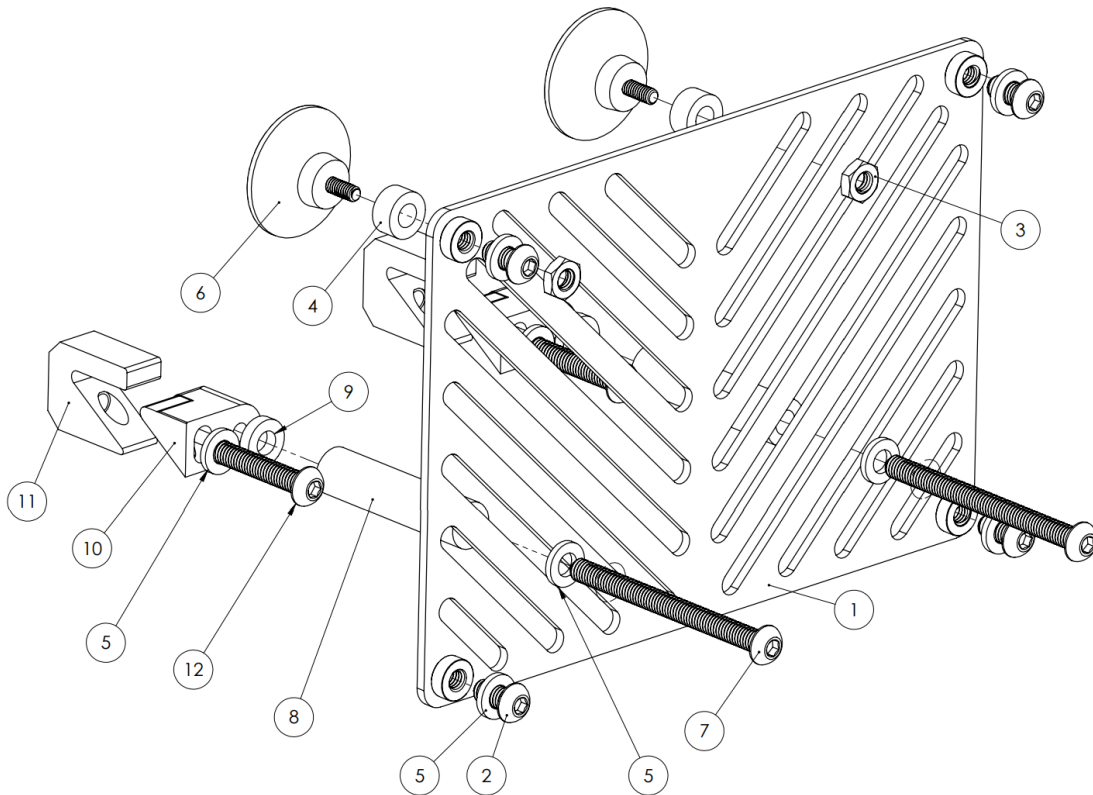


No Drill Front License Plate Bracket Install Subaru BRZ 2022+



Included Parts:

1. Aluminum Plate Bracket
2. M6x12 button head cap screw (4)
3. M6 Nut (2)
4. 6mm thick spacer (2)
5. M6 Washer (8)
6. Suction Cup (2)
7. M6 x 40mm button head cap screw (2)
8. 19mm thick spacer (2)
9. 6mm thick spacer (2)
10. Wedge mount (2)
11. Wedge clamp (2)
12. M6x35mm button head cap screws(2)

Install Procedure:

1. Assemble the wedge clamps components [10] and [11] using the 35mm long M6 cap screws[12], and M6 washers [5] as shown in the diagram and leave the screws loose allowing the clamp to slide open and closed.
2. Using the Aluminum Plate Bracket [1] as a guide, position the wedge clamps in the desired location on the bumper. Usually the top flange of the grill opening is used but the middle slat can be used as well and the plate can be offset left or right in the grill.



3. Thoroughly clean the area of the bumper where the suction cup will rest.
4. Feed the Suction Cup [6] through the 6mm thick spacer [4] and through the desired slot from the back side of the Aluminum Plate Bracket [1]. Note the suction cups do not need to be “suctioned” down. They are intended to keep the plate from vibrating against the bumper, not hold up the plate.
5. Pass the M6 x 40mm cap screw [7] through the M6 washer [5] then through the desired slot in the Aluminum Plate Bracket [1]. Stack the two spacers (19mm and 6mm) [8] [9], onto the cap screw and thread it into the wedge mount [11]. If the plate is offset to one side, vary the spacer thickness to get the plate to sit flat. (19mm on one side and 19+6mm on the other.)
6. Align and tighten all the cap screws to give the desired position on the bumper. This may take a few tries to get perfectly centered.
7. Fasten the licence plate to the Aluminum Plate Bracket [1] with the M6x12 Socket Head Cap Screw [2] and M6 Washer [5].